



TAIHAN
ELECTRIC WIRE CO., LTD.

JOINT BOX
Specification
Two ways
OPGW-OPGW
OPGW-FOC



TAIHAN

● The OPGW Joint Box of TAIHAN

Recently, the demand for the optical networks is increasing in everywhere.

The OPGW Joint Box is a closure system specially developed for use on the Composite Fiber Optic overhead Ground Wire of overhead transmission lines.

● APPLICATION

The OPGW Joint Box is a compact quadrangle type Al-alloy closure designed for enclosing Composite Fiber Optic overhead Ground Wire splices.

Particularly designed for steel tower and poles, it can be installed on any aerial application.

The Joint Box is suitable for use above overhead Ground Wire, it can be attached to high voltage towers, poles, walls or other support structures what made of steel, wooden, cement.

● DESCRIPTION

◆ Characteristics

- High mechanical strength, good watertight and anti-corrosion
- Can be installed on steel tower or cement and wooden pole
- Can be reused, easy to re-joint and expand capacity
- No special tools needed for installation or maintenance
- Space for storage of excess lengths of fiber buffer tube

◆ Body

- Both Joint Box base and cover are made of high density Al-alloy
- Splice parts are made of plastic
- Fixing parts are made of high quality Al-alloy

◆ Sealing system

- The body is sealed with a gasket ring that can be locked.
- The sealing system is watertight.
- Sealing method is to use a silicon rubber gasket ring.

◆ Cable entry capacity

- Maximum 4 OPGW cables and Optical fiber cables
- All available for OPGW, ADSS or dielectric cables

◆ Fiber management

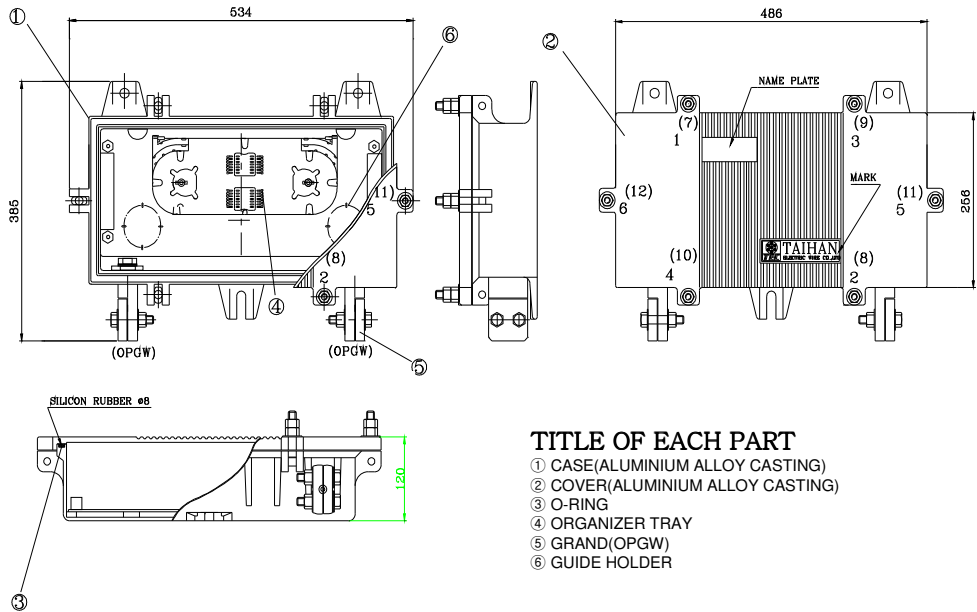
- Max. 72core (each containing Fiber splice tray cassettes up to 24 heat-shrink splices)
- The trays have stackable hinges.

FJB

JOINT BOX FOR OPGW

CONSTRUCTION

Unit : mm
Tolerance : ±3



TITLE OF EACH PART

- ① CASE(ALUMINIUM ALLOY CASTING)
- ② COVER(ALUMINIUM ALLOY CASTING)
- ③ O-RING
- ④ ORGANIZER TRAY
- ⑤ GRAND(OPGW)
- ⑥ GUIDE HOLDER

FEATURES

- High air tightness
- No compound feeding
- Easy install and re-opening
- Used for fusion splicing
- Made of aluminium alloy material

APPLICATION

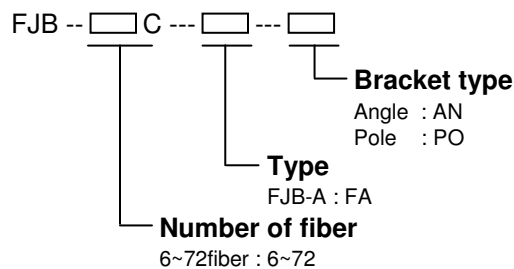
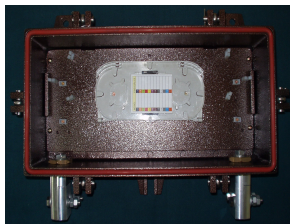
- Overhead power transmission lines

SPECIFICATIONS

TYPE	NUMBER OF SPLICING	DESCRIPTION
FJB-A	Max.72C splicing	JOINT BOX for OPGW(2way) [OPGW-OPGW]
	-	Brackets(Fixing hardware)

- Commentary : OPGW(Composite Fiber Optic overhead Ground Wire)
OFC(Optical Fiber Cable)

ORDERING INFORMATION



Insong Bldg. 194-15, 1-ka, Hoehyun-dong, Chung-ku, Seoul, 100-051, Korea

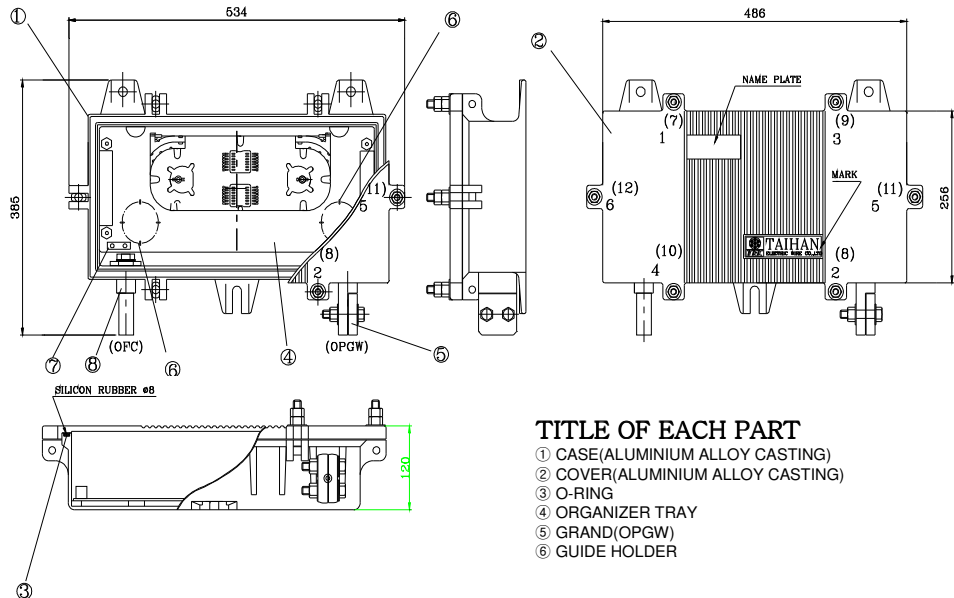
Tel : +82-2-316-9288 Fax : +82-2-754-5481

FJB

JOINT BOX FOR OPGW

CONSTRUCTION

Unit : mm
Tolerance : ±3



FEATURES

- High air tightness
- No compound feeding
- Easy install and re-opening
- Used for fusion splicing
- Made of aluminium alloy material

APPLICATION

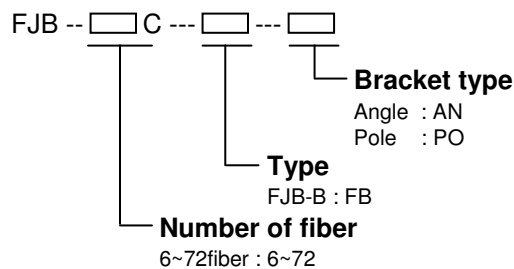
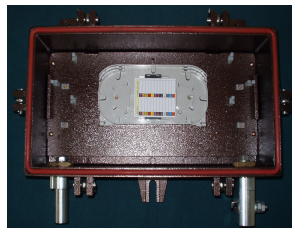
- Overhead power transmission lines

SPECIFICATIONS

TYPE	NUMBER OF SPLICING	DESCRIPTION
FJB-B	Max.72C splicing	JOINT BOX for OPGW(2way) [OPGW-OFC]
	-	Brackets(Fixing hardware)

- Commentary : OPGW(Composite Fiber Optic overhead Ground Wire)
OFC(Optical Fiber Cable)

ORDERING INFORMATION

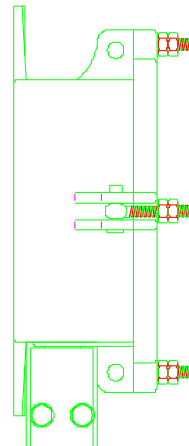
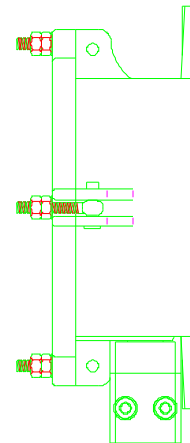
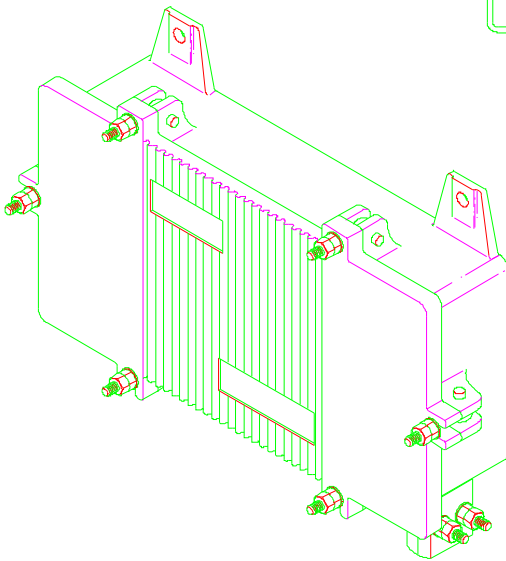
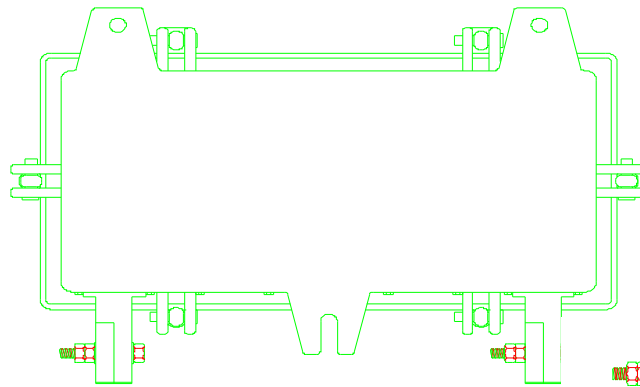
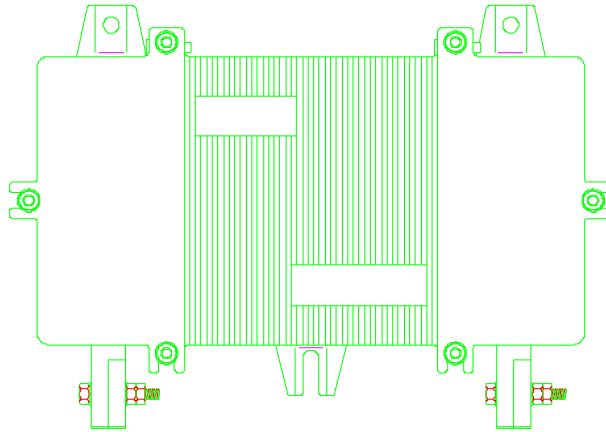


Insong Bldg. 194-15, 1-ka, Hoehyun-dong, Chung-ku, Seoul, 100-051, Korea

Tel : +82-2-316-9288 Fax : +82-2-754-5481

FJB

JOINT BOX
FOR
OPGW

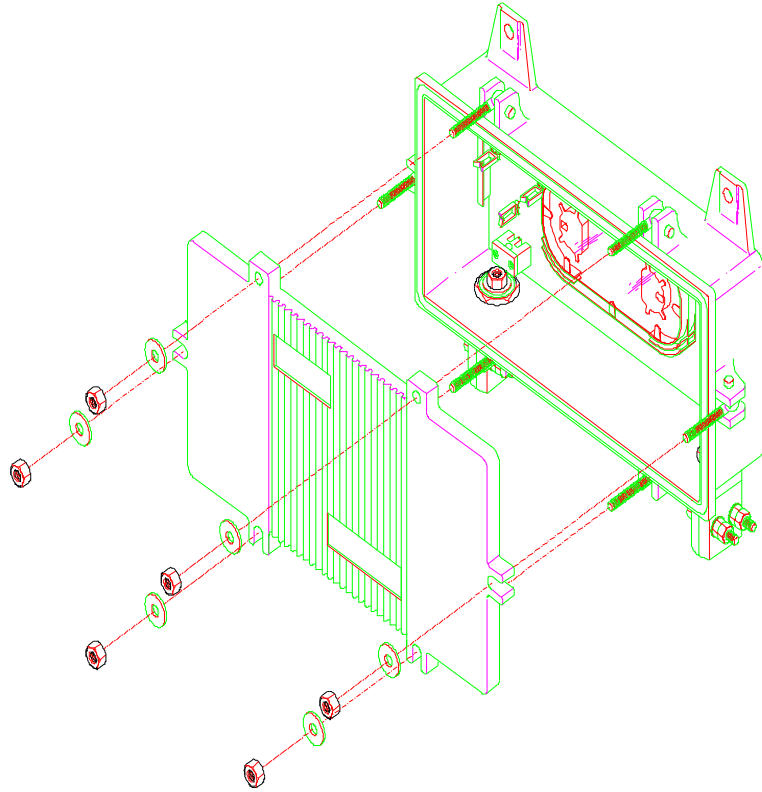


Insong Bldg. 194-15, 1-ka, Hoehyun-dong, Chung-ku, Seoul, 100-051, Korea

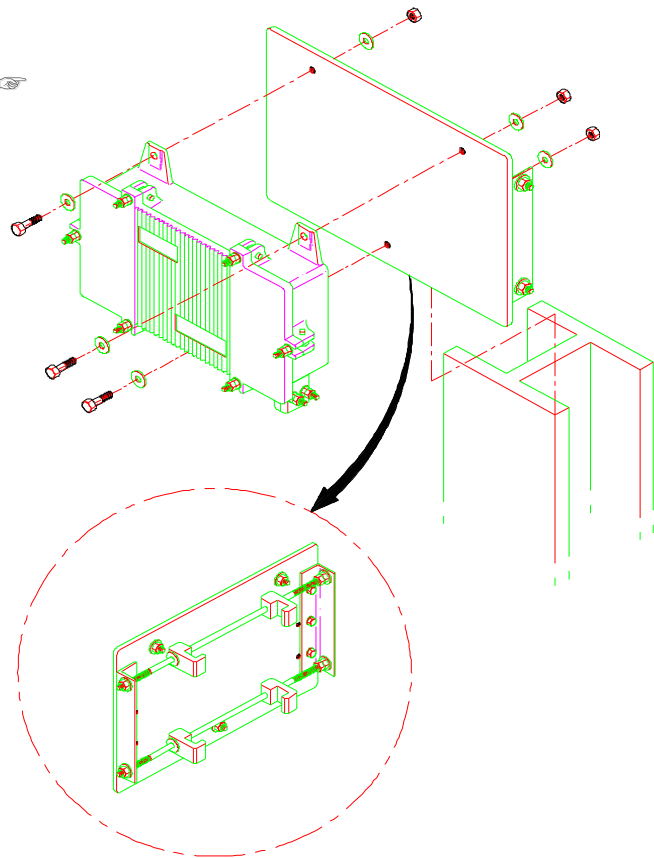
Tel : +82-2-316-9288 Fax : +82-2-754-5481

FJB

JOINT BOX
FOR
OPGW



In case of "H" beam installation 




TAIHAN
ELECTRIC WIRE CO., LTD.

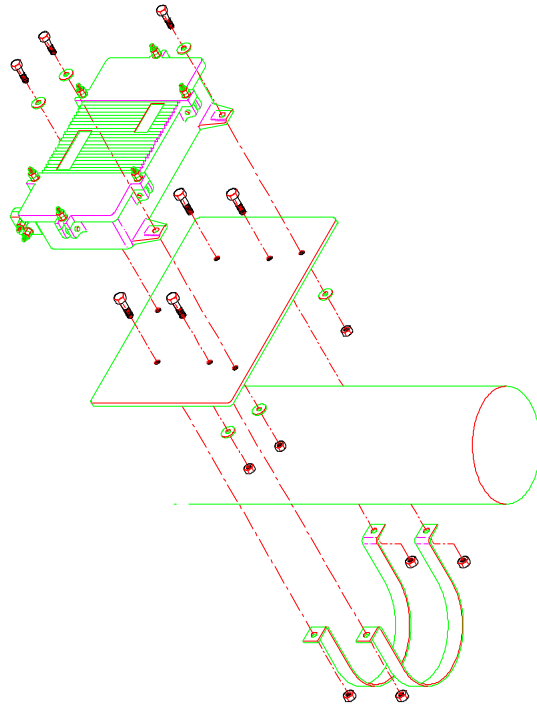
Insong Bldg. 194-15, 1-ka, Hoehyun-dong, Chung-
ku, Seoul, 100-051, Korea

Tel : +82-2-316-9288 Fax : +82-2-754-5481

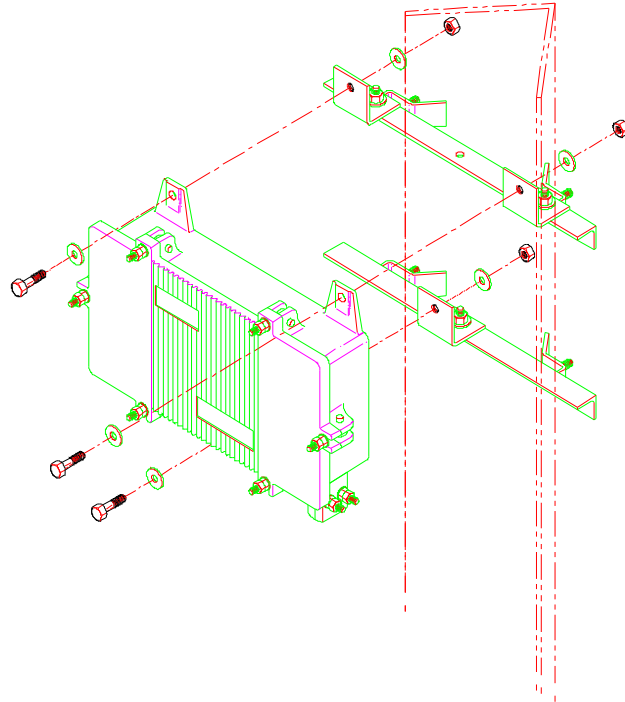
FJB

JOINT BOX FOR OPGW

In case of Pole installation 



In case of Angle Tower installation 



TAIHAN
ELECTRIC WIRE CO., LTD.

Insong Bldg. 194-15, 1-ka, Hoehyun-dong, Chung-ku, Seoul, 100-051, Korea

Tel : +82-2-316-9288 Fax : +82-2-754-5481